

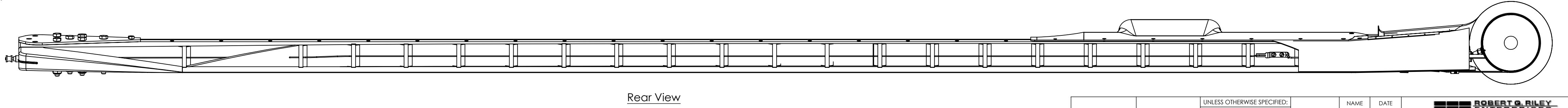
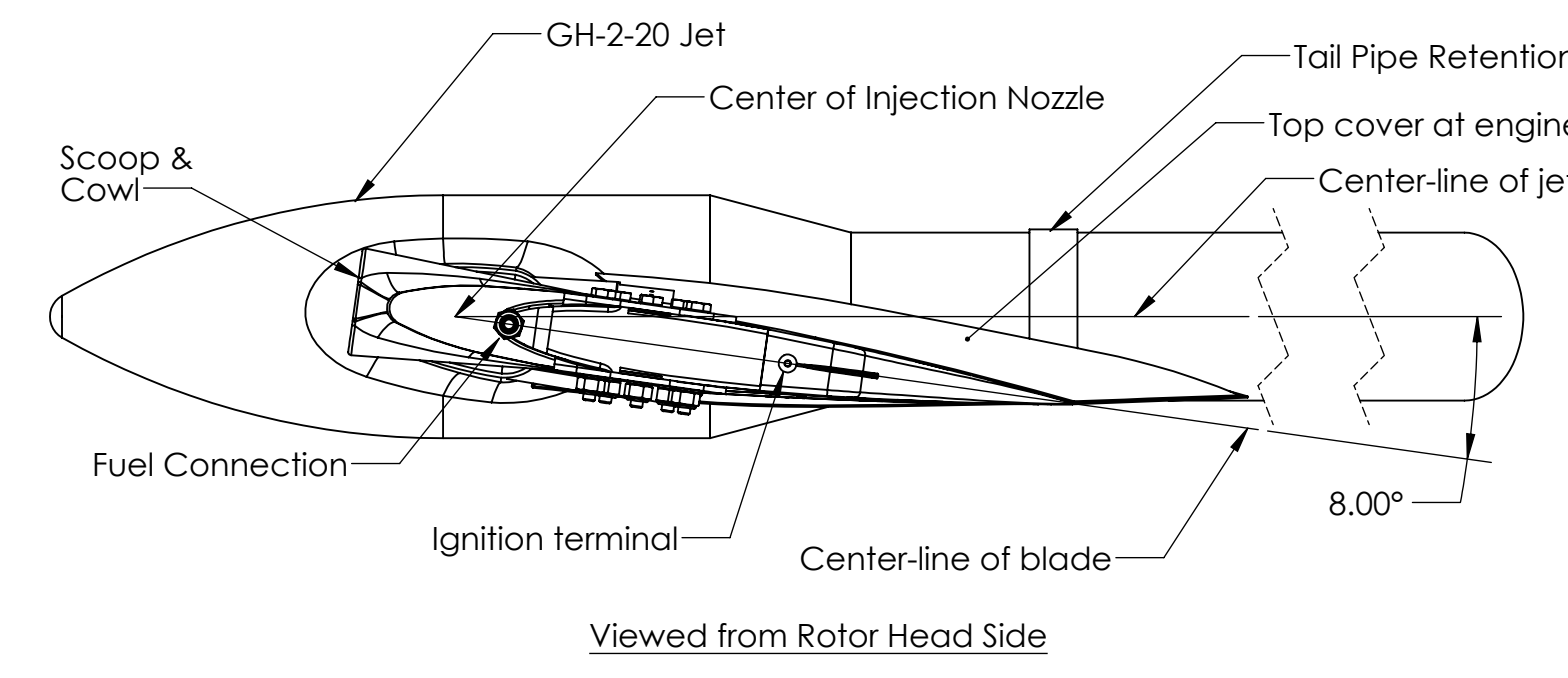
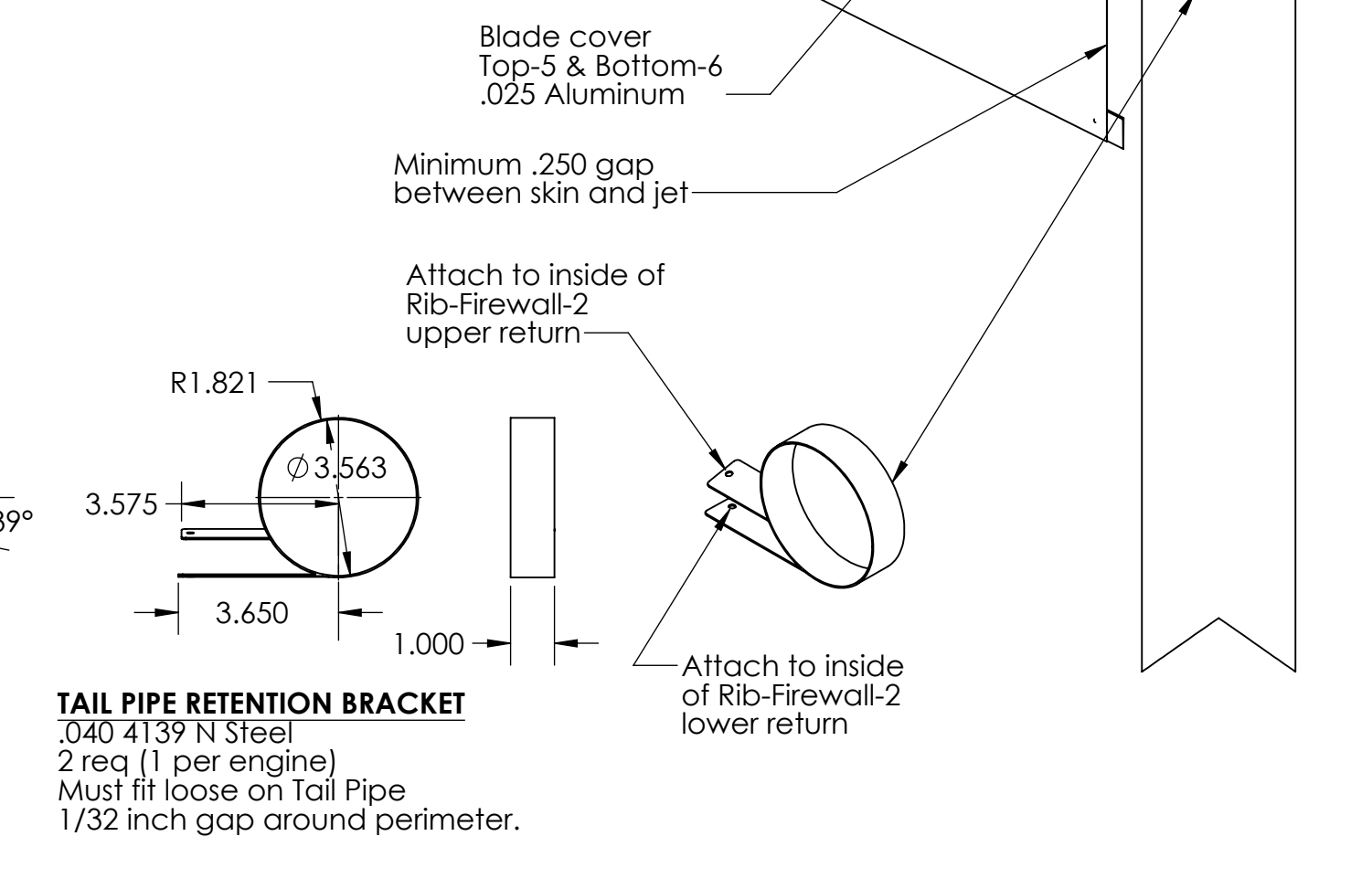
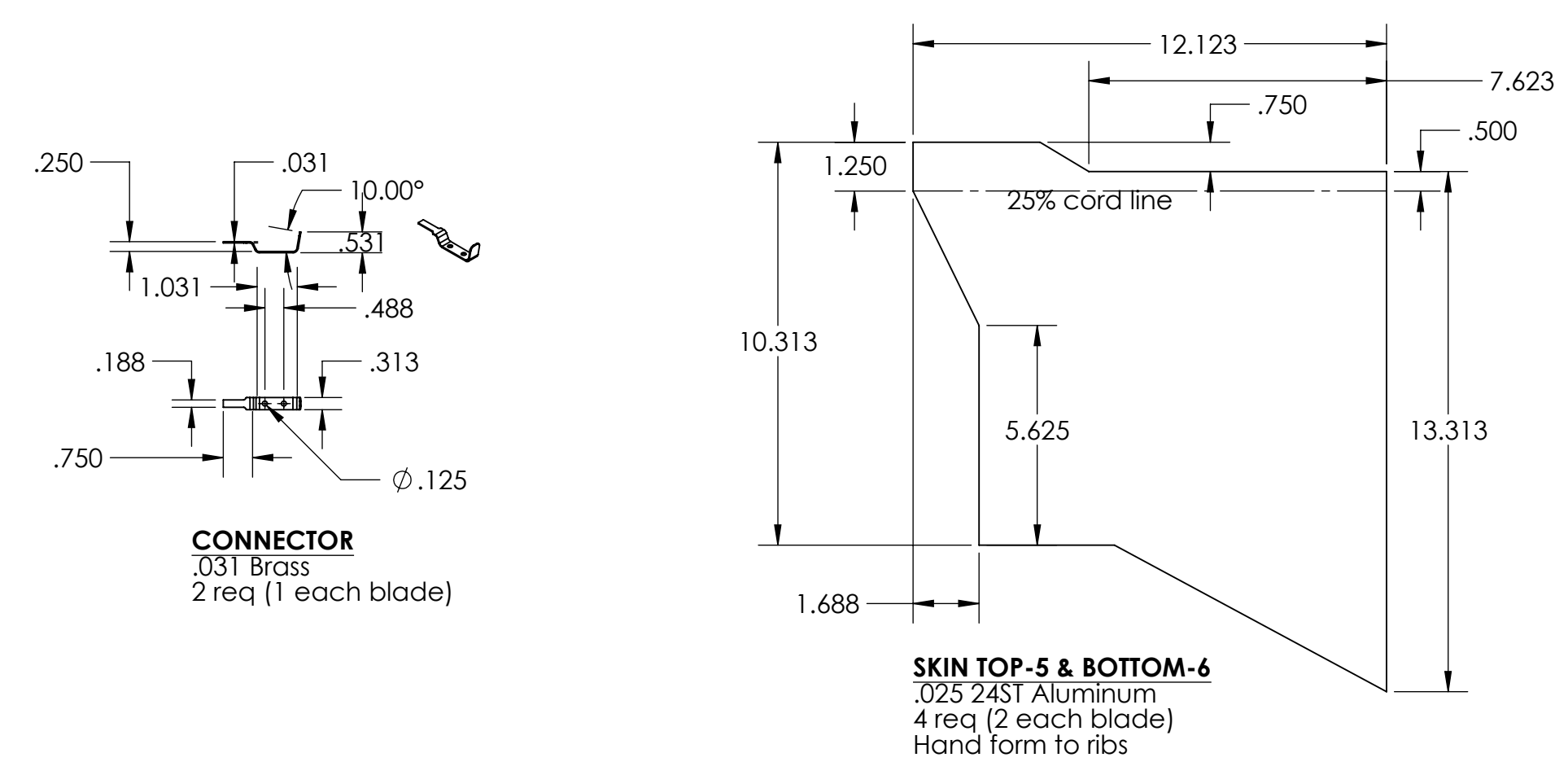
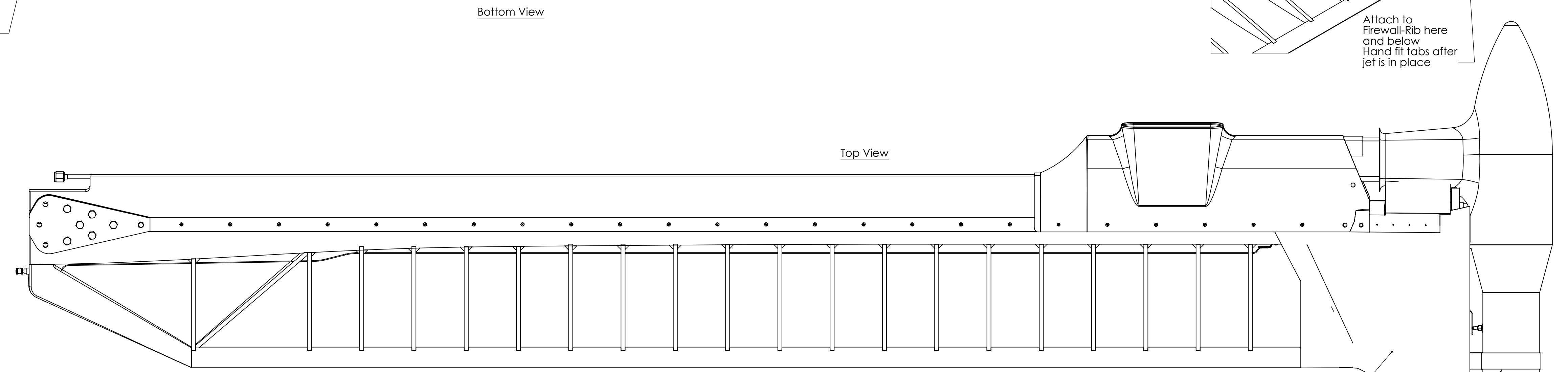
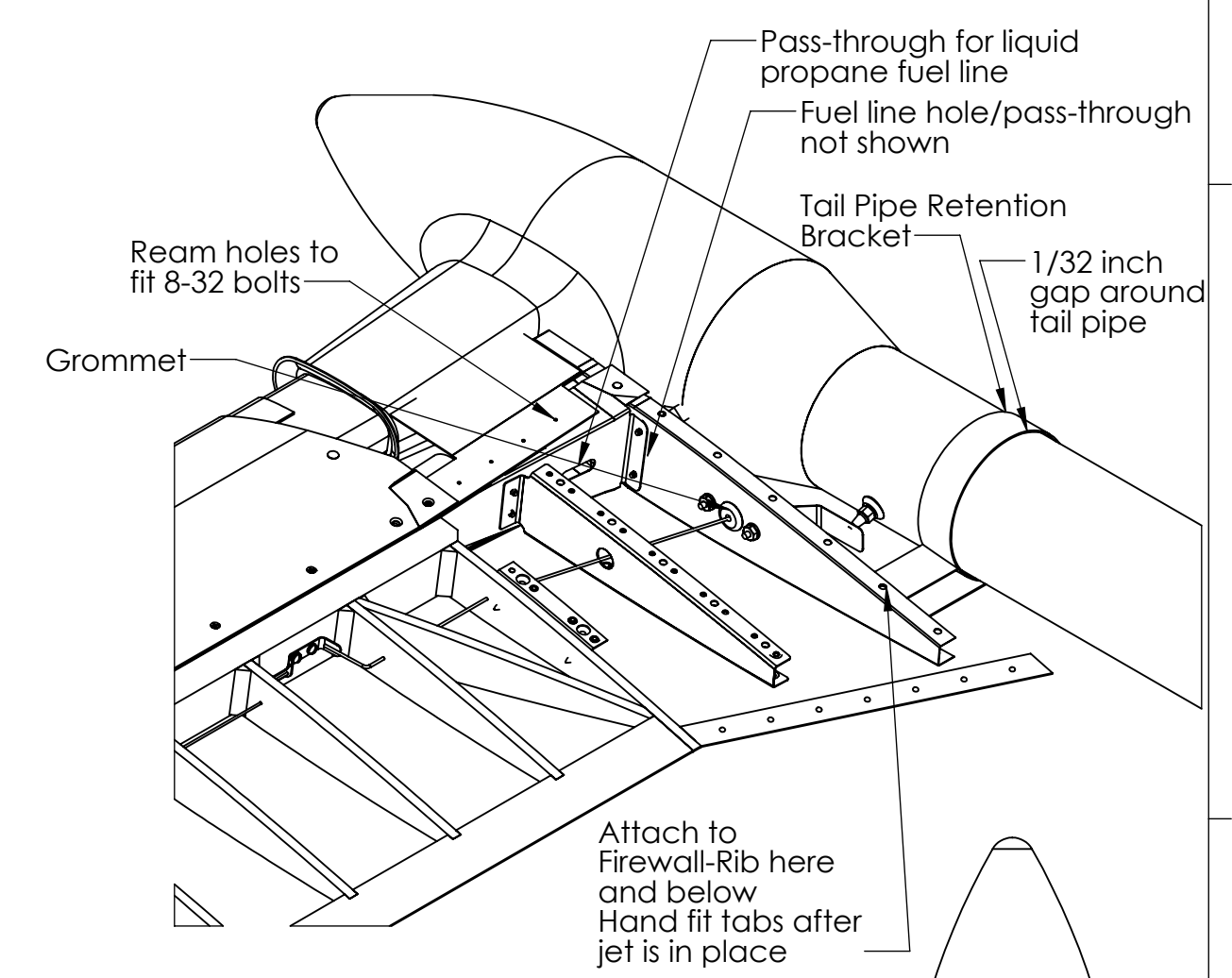
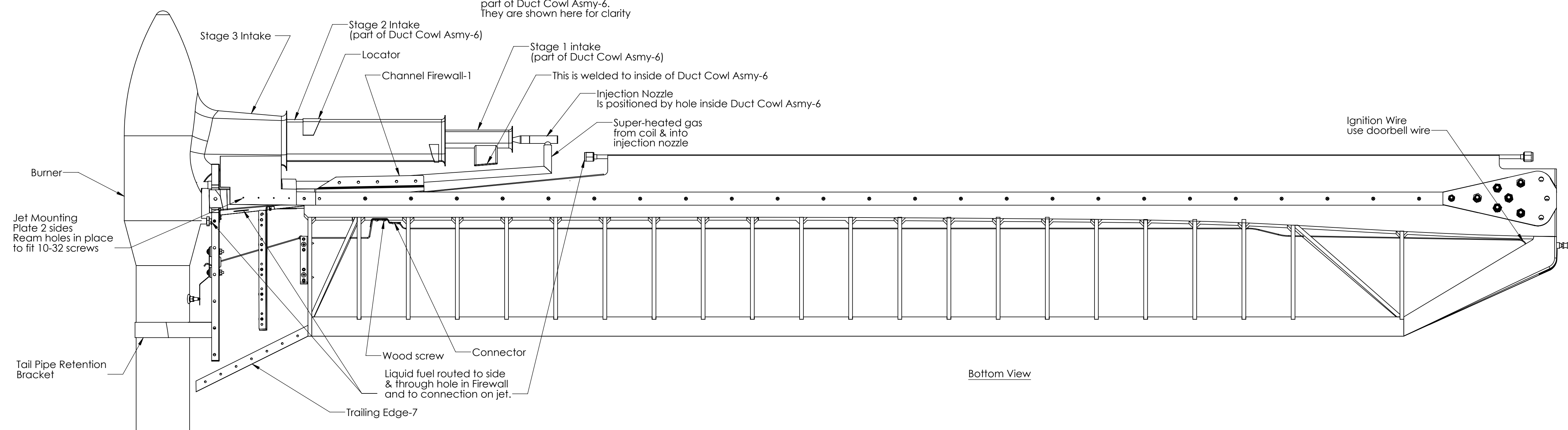
**PROPRIETARY AND CONFIDENTIAL**  
 THE INFORMATION CONTAINED IN THIS DRAWING IS THE SOLE PROPERTY OF ROBERT Q RILEY ENTERPRISES, LLC. ANY REPRODUCTION IN PART OR AS A WHOLE WITHOUT THE WRITTEN PERMISSION OF ROBERT Q RILEY ENTERPRISES, LLC IS PROHIBITED.

UNLESS OTHERWISE SPECIFIED:		NAME	DATE
DRAWN			
CHECKED			
ENG APPR.			
MFG APPR.			
INTERPRET GEOMETRIC TOLERANCING PER:		G.A.	
MATERIAL		COMMENTS:	
NEXT ASSY	USED ON	FINISH	
APPLICATION			

		<b>General Layout</b> <b>Master Assembly</b>	
SIZE	DWG. NO.	REV	
<b>D</b>	<b>MEG-2X</b>		
SCALE: 1:8	WEIGHT:	SHEET 1 OF 26	

**NOTE:**  
Intake stages 1 & 2 are part of Duct Cowl Asmy-6. They are shown here for clarity

**NOTE:**  
Because engine is shown level blade is shown at an angle. This foreshortens the cord and shows bolts & holes at an 8 degree angle in top & bottom views.



**PROPRIETARY AND CONFIDENTIAL**  
THE INFORMATION CONTAINED IN THIS DRAWING IS THE SOLE PROPERTY OF ROBERT Q RILEY ENTERPRISES LLC. ANY REPRODUCTION IN PART OR AS A WHOLE WITHOUT THE WRITTEN PERMISSION OF ROBERT Q RILEY ENTERPRISES LLC IS PROHIBITED.

UNLESS OTHERWISE SPECIFIED:		NAME	DATE
DIMENSIONS ARE IN INCHES			
TOLERANCES:		DRAWN	
FRACTIONAL ±		CHECKED	
ANGULAR MATCH ±		ENG APPR	
TWO PLACE DECIMAL ±		MFG APPR	
THREE PLACE DECIMAL ±		G.A.	
INTERPRET GEOMETRIC TOLERANCING PER:		COMMENTS:	
MATERIAL			
NEXT ASSY	USED ON	FINISH	
APPLICATION			

**ROBERT Q RILEY ENTERPRISES**  
Product Design & Development

TITLE: **Jet/Blade Detail**

SIZE DWG. NO. **D MEG-2X** REV

SCALE: 1:4 WEIGHT: SHEET 24 OF 26